

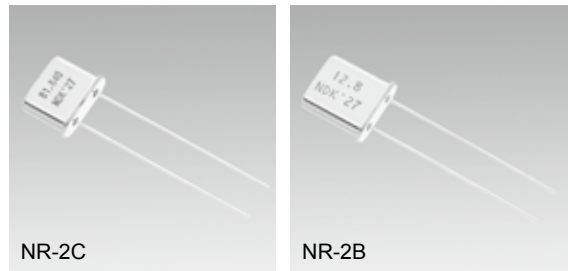
NR-2C / NR-2B

For High Precision Industry

■ Features

A highly reliable crystal unit with outstanding frequency stability and covering a broad frequency range.

- The product satisfies strict temperature characteristics standards, is shock resistant and has excellent frequency reproducibility.



Pb Free

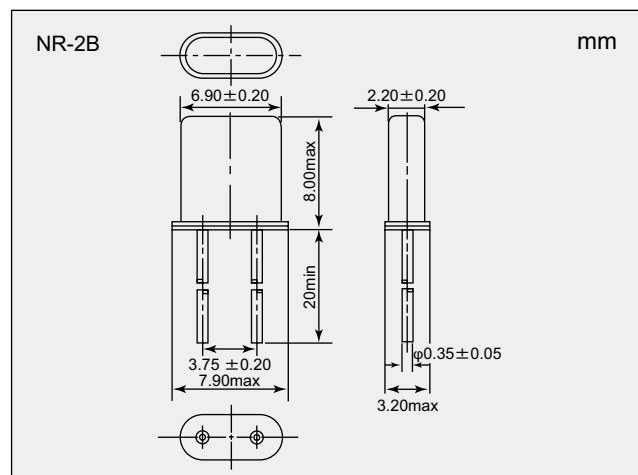
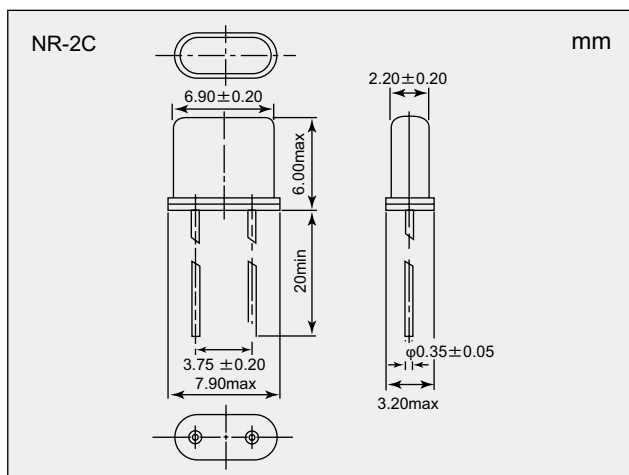
RoHS Compliant
Directive 2011/65/EU

■ Specifications

Item	Model	NR-2C		
Nominal Frequency		10 to 25 MHz	45 to 95 MHz	80 to 150 MHz
Overtone Order		Fundamental	3rd overtone	5th overtone
Frequency Tolerance (25 ±3 °C)		±10 × 10 ⁻⁶		
Frequency versus Temperature Characteristics (with reference to +25 °C)		±5 × 10 ⁻⁶		
Operating Temperature Range		-10 to +60 °C		
Storage Temperature Range		-40 to +85 °C		
Equivalent Series Resistance		Max. 40Ω	Max. 60Ω	Max. 80Ω
Level of Drive		10 μW (Max. 100 μW)		
Load Capacitance		12 pF	Series resonance	
Specifications Number		STD-CMB-4	STD-CMB-5	STD-CMB-6

Item	Model	NR-2B			
Nominal Frequency		10 to 30 MHz	25 to 30 MHz	30 to 75 MHz	50 to 100 MHz
Overtone Order		Fundamental	3rd overtone	3rd overtone	5th overtone
Frequency Tolerance (25 ±3 °C)		±10 × 10 ⁻⁶			
Frequency versus Temperature Characteristics (with reference to +25 °C)		±5 × 10 ⁻⁶			
Operating Temperature Range		-10 to +60 °C			
Storage Temperature Range		-40 to +85 °C			
Equivalent Series Resistance		Max. 25Ω	Max. 50Ω	Max. 45Ω	Max. 60Ω
Level of Drive		10 μW (Max. 100 μW)			
Load Capacitance		12 pF	Series resonance		
Specifications Number		STD-CMB-1	STD-CMB-2	STD-CMB-3	

■ Dimensions



Please specify the model name, frequency, and specification number when you order products.
For further questions regarding specifications, please feel free to contact us.